

Model : ST-110

- > Type : Double Ended Shear Beam Load Cell
- > Surface : Electroless Nickel Plated Treatment
- > Construction : High Alloy Tool Steel construction against shock and overload.
- > Hermetically & Water proof Sealed
- > Steel ball loading, strong restoration ability
- > Easy complete installation, high weighing accuracy

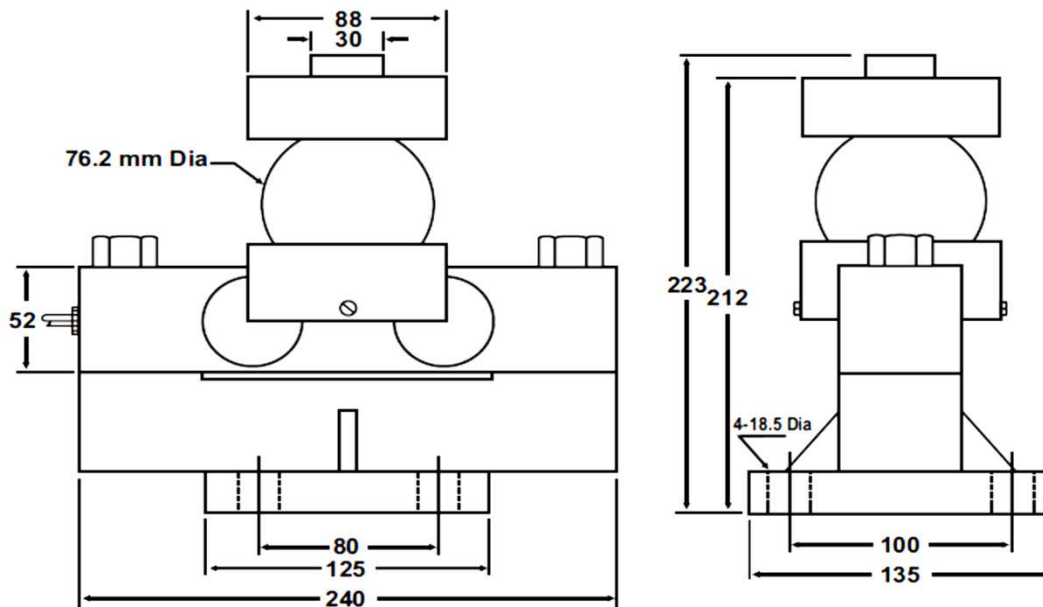


Application : Truck Weighbridge, Tank & Hooper Weighing, Tensile testing

Technical Specifications:

Capacity	10, 20, 30 Tf.		
Rated Output	2.0mv/v Nominal		
Zero Balance	± 1% FS	Creep (30min)	0.02% FS
Input Resistance	750 ± 20Ω	Operating Temp.	0 To 60°C
Output Resistance	700 ± 10Ω	Temp. Effect on Zero	0.03% FS/10 °c
Excitation Voltage	9~12 VDC	Temp. Effect on Span	0.03% FS/10 °c
Nonlinearity	0.02% FS	Safe Overload	150% FS
Hysteresis	0.02% FS	Ultimate Overload	200% FS
Repeatability	0.02% FS	Insulation Resistance	5000MΩ(50VDC)

DIMENSIONS (mm) :



Specifications are subject to change without notice

73, Mahadev Estate - 2, Celluloz Mill Compound, Behind Ramol Police Station,
Near Canal, CTM-Ramol Road, Ahmedabad - 382449 (Gujarat) India
EMAIL : info@sensortech.co.in, sensortech2002@yahoo.com
URL : www.sensortech.co.in, Contact : +91-9898123499